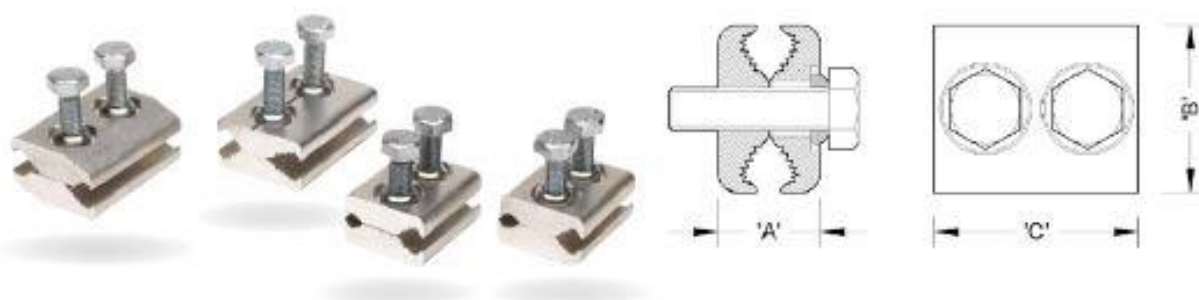


## SB-AL

Low Voltage Connectors - Branch - Not Insulated



### DS-AL Mechanical connectors for solid aluminium conductors

Product name	Part number	Dimensions			Part Number
		A	B	C	
SB-BB/40	BAH-023010007	23	37	50	707858-000
SB-LL/35	BAH-023010014	20	37	50	594712-000
SB-LL/40	BAH-023010017	20	37	50	250758-000
SB-SB/35	BAH-023010025	19	31	38	147966-000
SB-SL/30	BAH-023010032	19	31	38	791586-000
SB-SL/35	BAH-023010035	19	31	38	391272-000

### DS-AL - Application chart

Range	120 degree (3 core) conductors				90 degree (4 core) conductors		
	recommended connector	alternative (1)	alternative (2)	alternative (3)	recommended connector	alternative (1)	alternative (2)
300-300	SB-LL/40	-	-	-	SB-LL/40	-	-
300-240	SB-LL/40	-	-	-	SB-LL/40	-	-
300-185	SB-BB/40	SB-LL/40	-	-	SB-BB/40	-	-
300-150	SB-BB/40	-	-	-	SB-BB/40	-	-
300-120	SB-BB/40	-	-	-	SB-BB/40	-	-
300-95	SB-BB/40	-	-	-	SB-BB/40	-	-
300-70	SB-BB/40	-	-	-	SB-BB/40	-	-
240-240	SB-LL/40	-	-	-	SB-LL/40	-	-
240-185	SB-LL/40	SB-BB/40	-	-	SB-LL/40	SB-BB/40	-
240-150	SB-BB/40	-	-	-	SB-BB/40	-	-
240-120	SB-BB/40	-	-	-	SB-BB/40	-	-
240-95	SB-BB/40	-	-	-	SB-BB/40	-	-
240-70	SB-BB/40	-	-	-	SB-BB/40	-	-
185-185	SB-SL/35	SB-LL/35	-	-	SB-LL/35	-	-
185-150	SB-SB/35	SB-SL/35	SB-LL/35	-	SB-LL/35	SB-BB/40	-
185-120	SB-SB/35	-	-	-	SB-BB/40	SB-LL/35	-
185-95	SB-SB/35	-	-	-	SB-BB/40	-	-
185-70	SB-SB/35	-	-	-	-	-	-
150-150	SB-SL/35	SB-LL/35	-	-	SB-SL/35	SB-LL/30	-
150-120	SB-SL/35	SB-SB/35	SB-LL/35	-	SB-SL/35	SB-SB/35	-
150-95	SB-SB/35	-	-	-	SB-SB/35	-	-
150-70	SB-SB/35	-	-	-	SB-SB/35	-	-
120-120	SB-SL/30	SB-LL/30	-	-	SB-SL/30	SB-LL/30	-
120-95	SB-SL/30	-	SB-SB/30	SB-LL/30	SB-SL/30	SB-SB/35	-
120-70	-	SB-SL/30	SB-SB/30	-	-	-	-
95-95	SB-SL/30	SB-LL/30	-	-	SB-SL/30	SB-LL/30	-
95-70	SB-SL/30	-	SB-LL/30	SB-SB/30	SB-SL/30	-	-
70-70	-	-	-	-	SB-SL/30	-	-