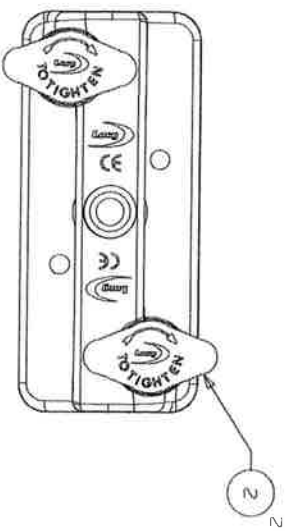
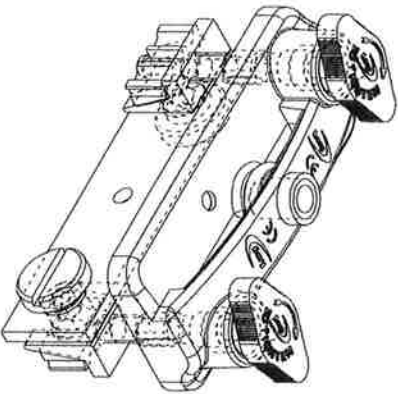
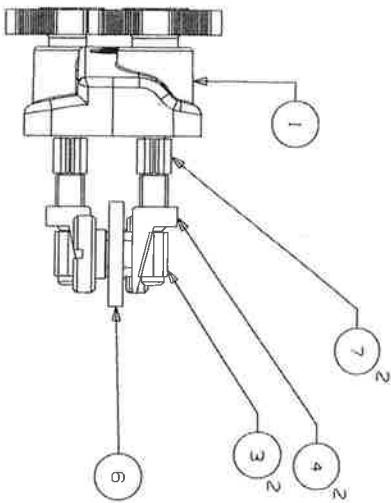
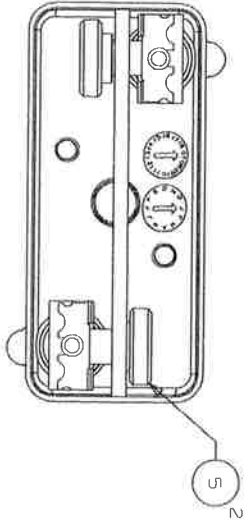


NO PART OF THIS DRAWING MAY BE REPRODUCED OR TRANSMITTED IN ANY FORM OR BY ANY MEANS, ELECTRONIC OR MECHANICAL, INCLUDING PHOTOCOPYING, RECORDING, OR BY ANY INFORMATION STORAGE OR RETRIEVAL SYSTEM, OR BY ANY MEANS, WITHOUT PERMISSION OF THERMOPLASTIC BOX CENTRES.



ISOMETRIC VIEW

APP'D.	SMH	DATE	04/01/10
DRWN.	SMH	DATE	04/01/10
APP'D.	SMH	DATE	04/01/10
APP'D.	BD/EO/19	DATE	12/01/10

ITEM No. 2 UPDATED TO REFLECT REVISED KEYHEAD PROFILE. ECR 4463

© THERMOPLASTIC BOX CENTRES. ALL RIGHTS RESERVED. ALL DIMENSIONS IN MILLIMETERS UNLESS OTHERWISE STATED.

MJW3 (THERMOPLASTIC) LINK BOX HANDLE ASSY 83mm CENTRES



FINISH: 00

DO NOT SCALE IF IN DOUBT ASK

PROJECTION: 1st ANGLE

ORD. NO. CUST. THM0006402 ISS. 4